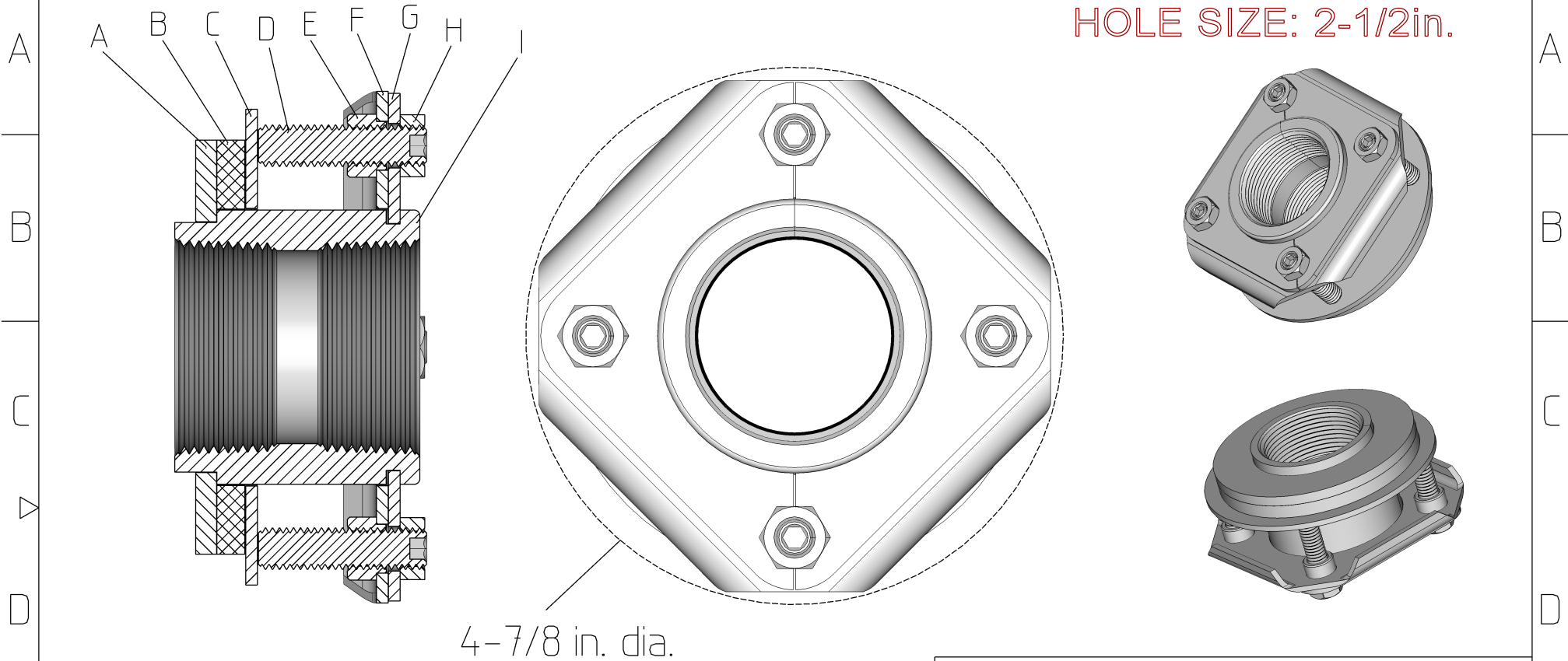


CONFIDENTIAL AND PROPRIETARY

WALL CAPACITY UP TO: 3/4 in.
HOLE SIZE: 2-1/2 in.



4-7/8 in. dia.

ASSEMBLY PART No.: 1030-015 SS

ITEM	QTY.	O.D.	DESCRIPTION	PART No.
A	1	3 3/4"	WELD PLATE	40102
E	1	--	GASKET	G-015
C	1	4 1/4"	BACKING PLATE	40112
D	4	--	3/8-16 SET SCREW	38134
E	4	--	PRESSURE PLATE NUT	ZT-38
F	1	4 7/8"	PRESSURE PLATE	40122
F	1	--	RETAINING PLATE	40132
H	4	--	3/8-16 JAM NUT	JN38
I	1	2 1/2"	COUPLER 1.5 IN. FNPT x FNPT	K611-24

TANK FITTING
TECHNOLOGIES

805 BROAD ST. SUITE 2
KLAMATH FALLS, OR 97601

TITLE: 1-1/2 INCH FULL COUPLING
FNPT X FNPT ASSEMBLY

DRAWN BY:
JLG

PATENT# 7527299